

Design and Deployment in Edge Computing

A Case Study

Matteo Di Pirro

Kynetics LLC - Santa Clara, CA



OPEN
NETWORKING
& EDGE
SUMMIT

Agenda



- Use case
- System design
- Remarkable issues
- Conclusion



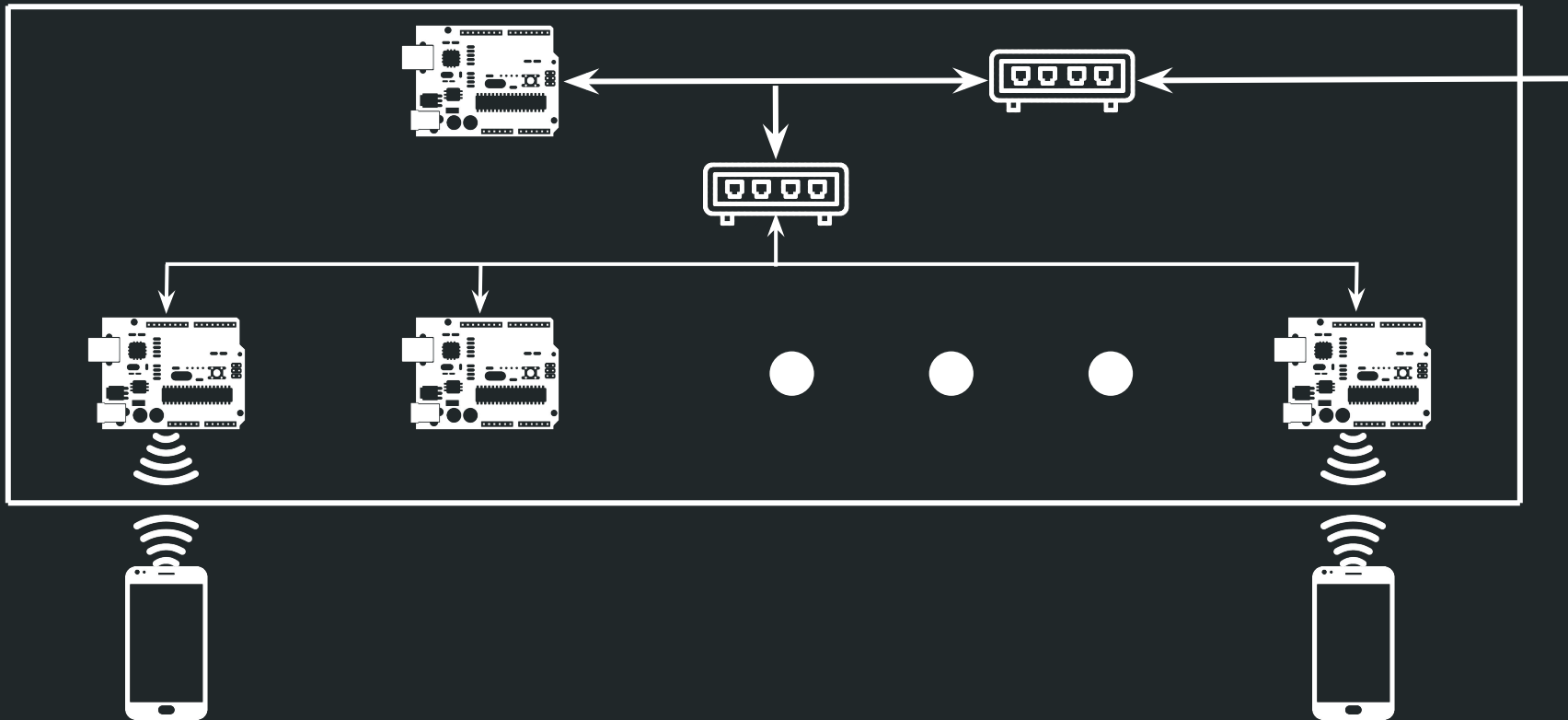
Purpose of the system



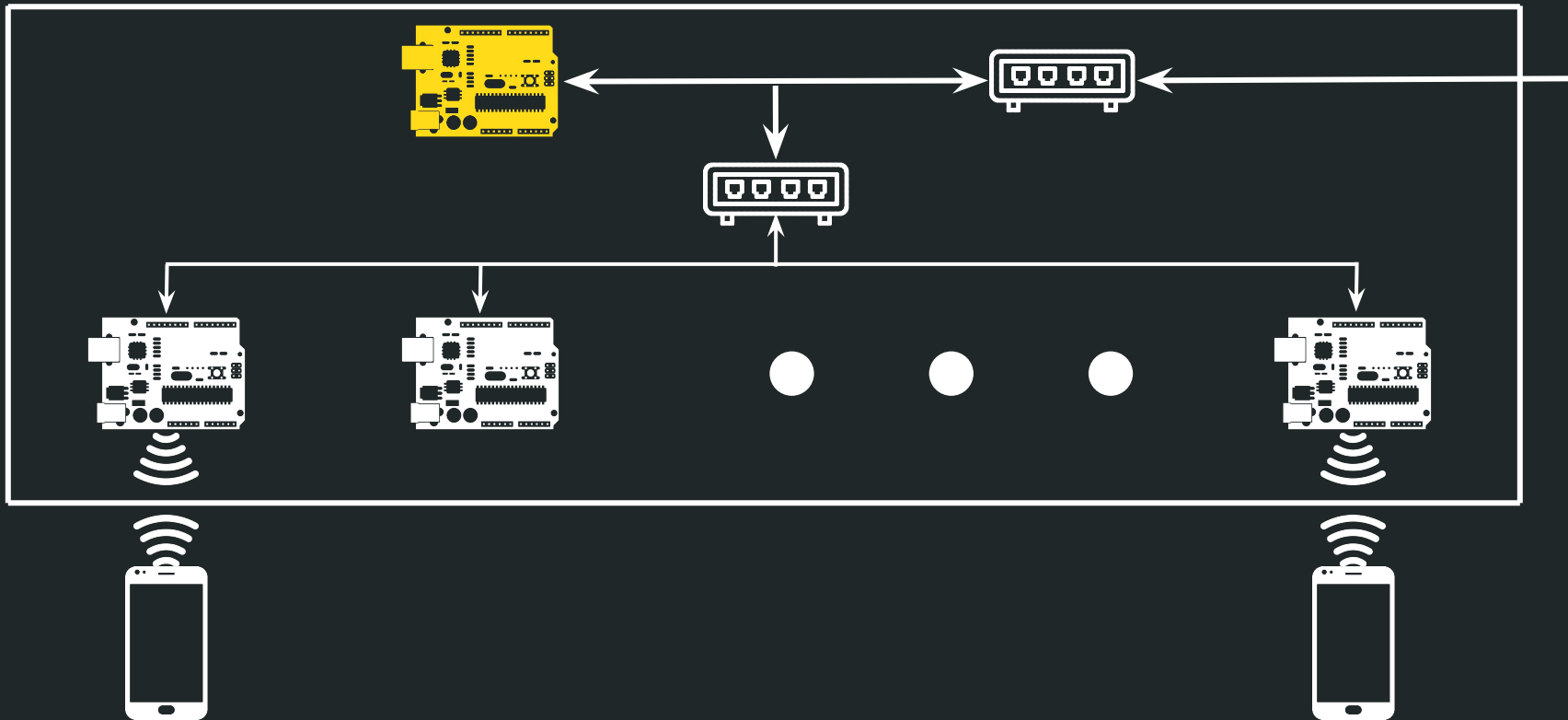
- Streaming and recording audio over BT on a cluster of ARM computers
- Updating OS and applications in the infrastructure



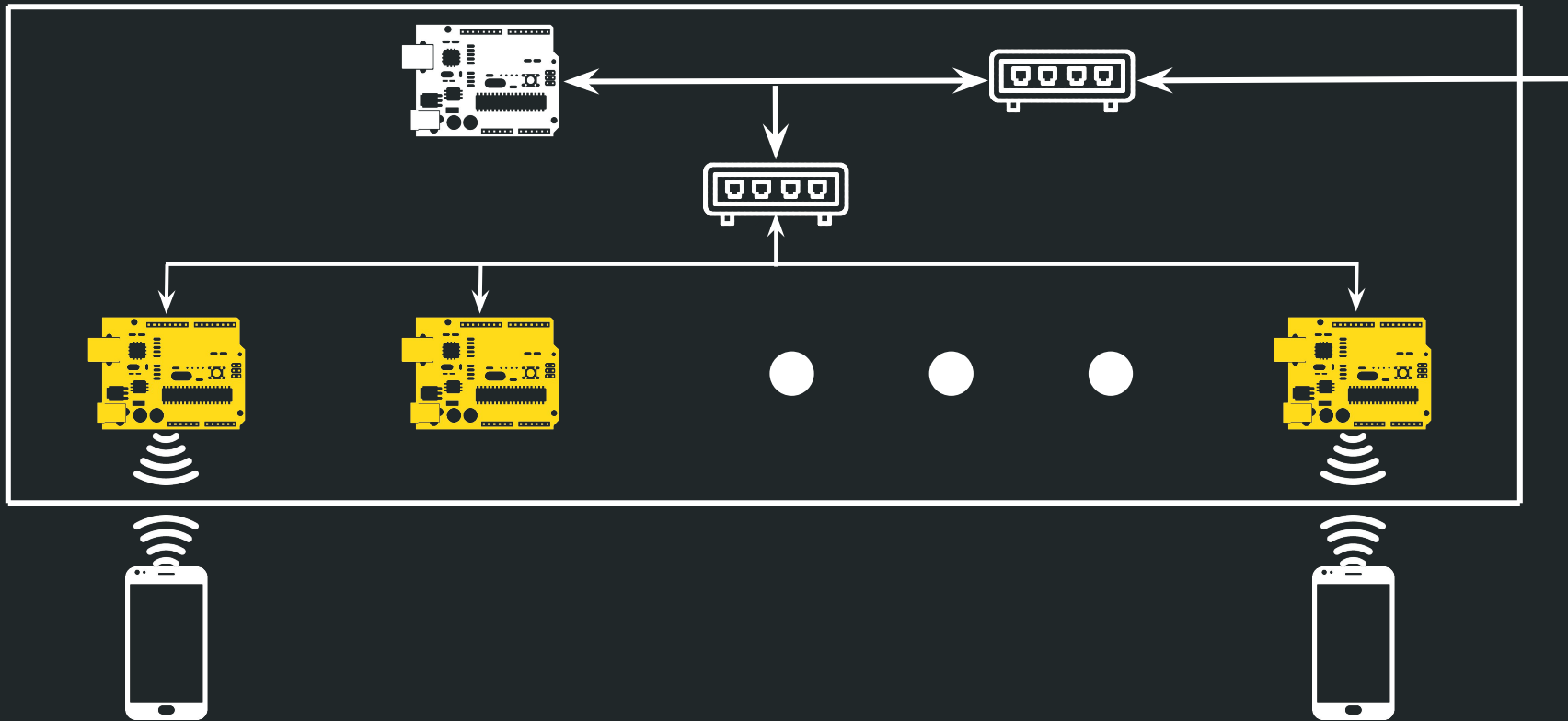
The system - Helicopter view



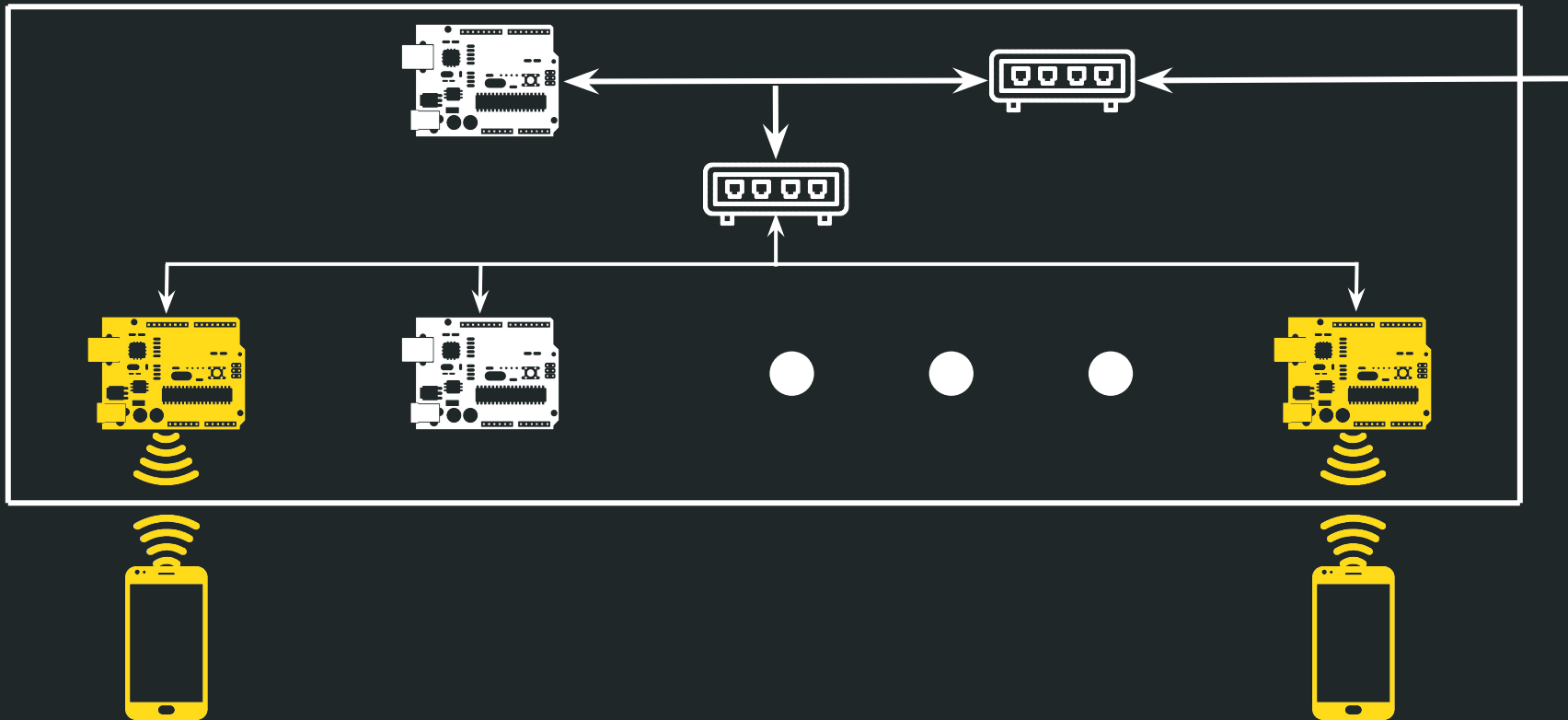
The system - Helicopter view



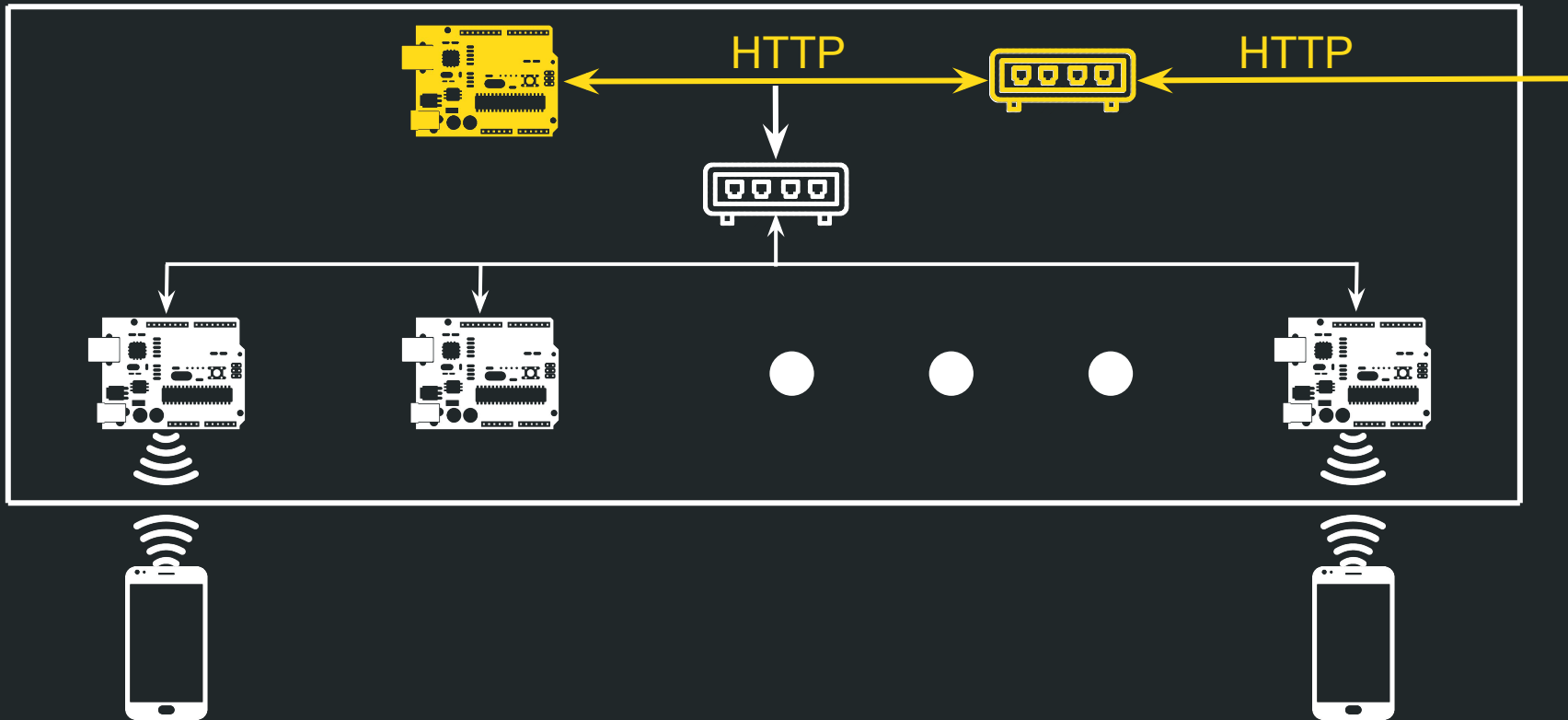
The system - Helicopter view



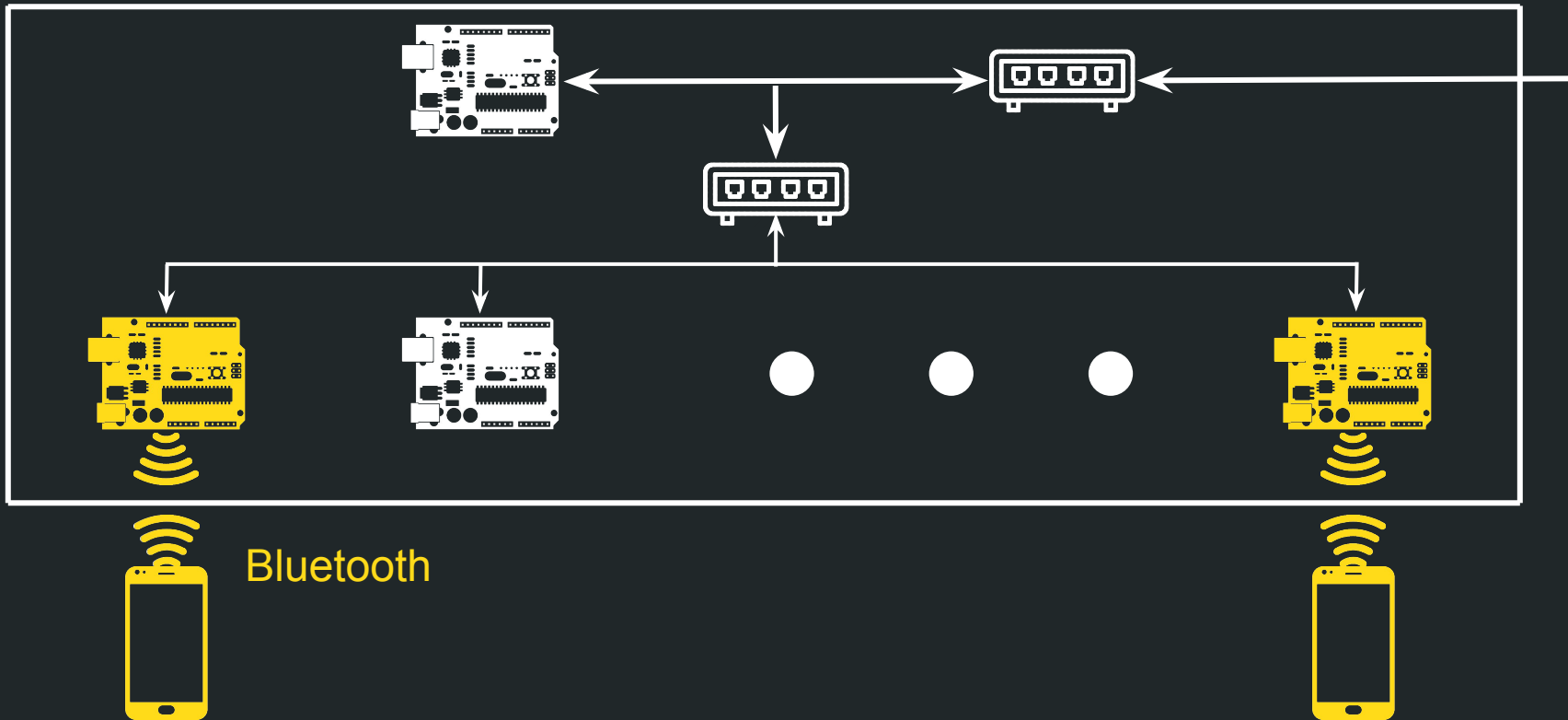
The system - Helicopter view



The system - Helicopter view



The system - Helicopter view



Remarkable issues

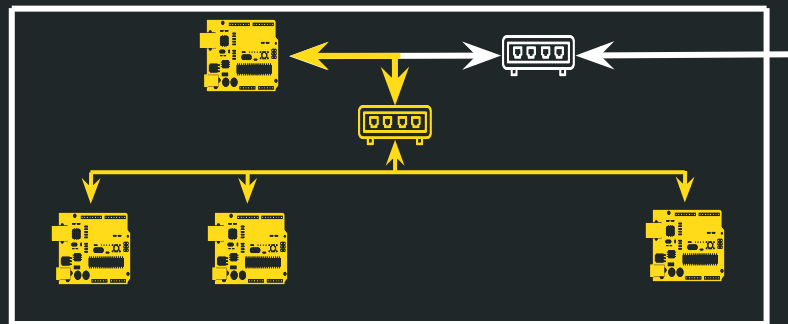


- Transmission of data and commands
- Consistency of the state
- Update roll-outs

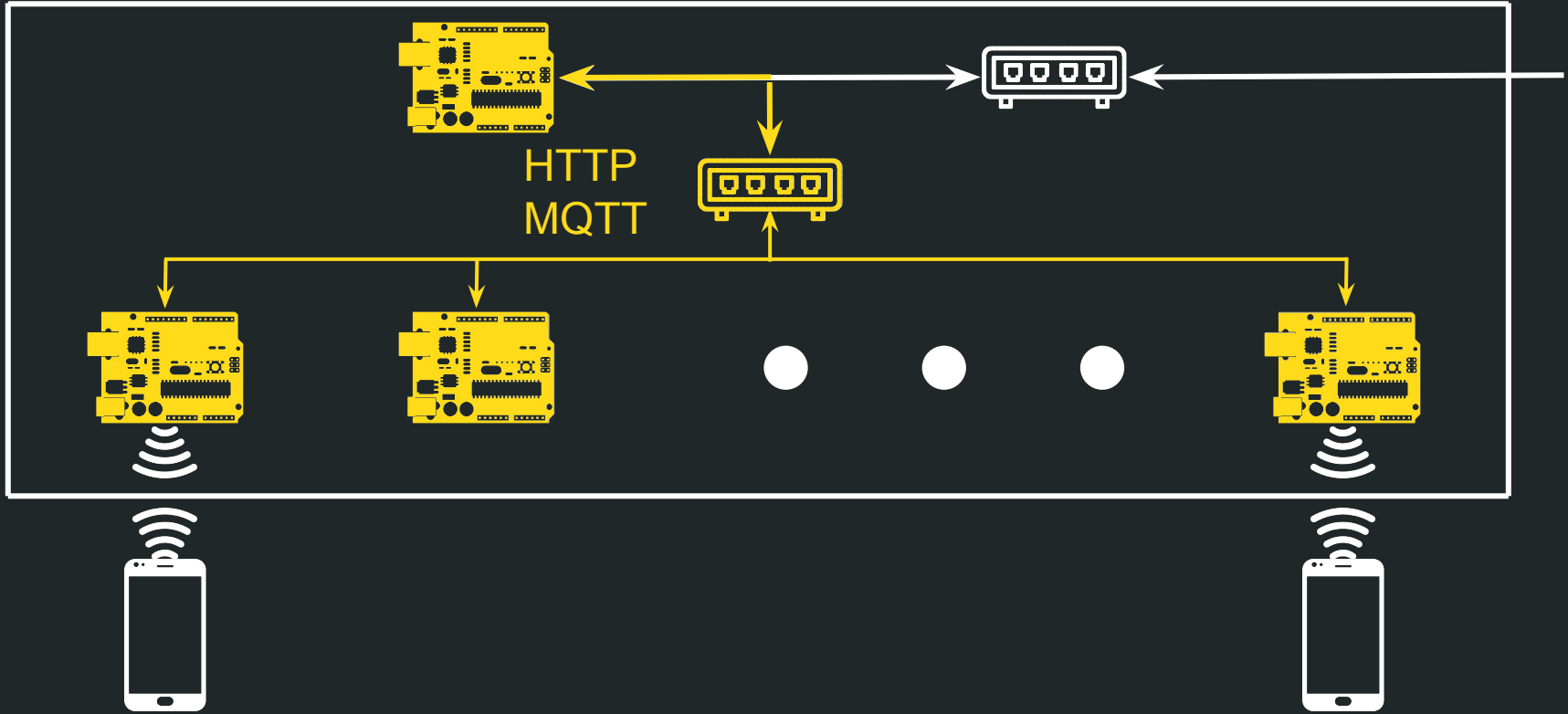


Remarkable issues

- Transmission of data and commands
 - Within the cluster
- Consistency of the state
- Update roll-outs



The system - Internal Communication



Remarkable issues

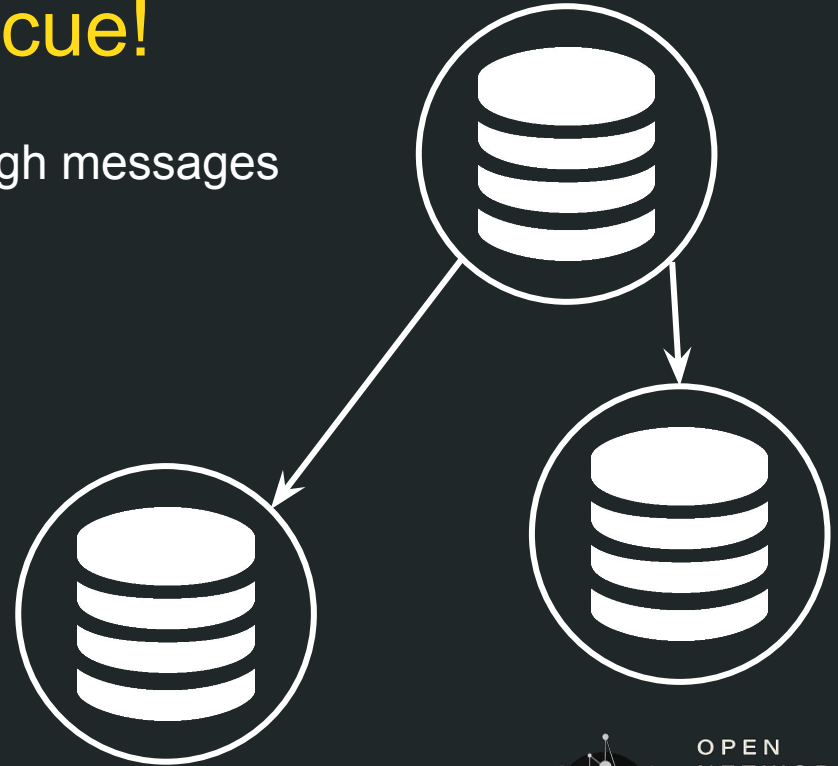
- Transmission of data and commands
- Consistency of the state
 - Both locally and globally
 - In presence of asynchronous events
- Update roll-outs



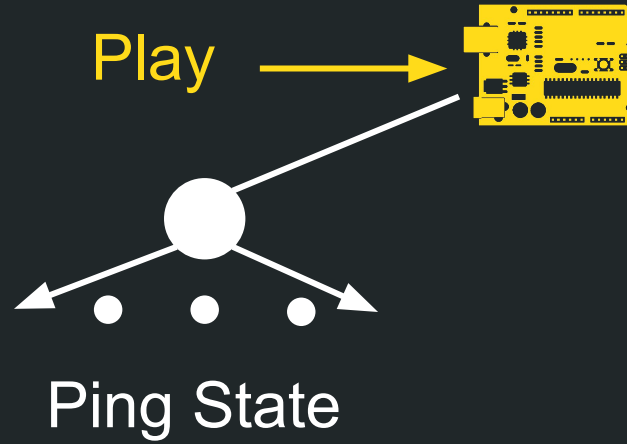
The system - Asynchronicity

Actors model to the rescue!

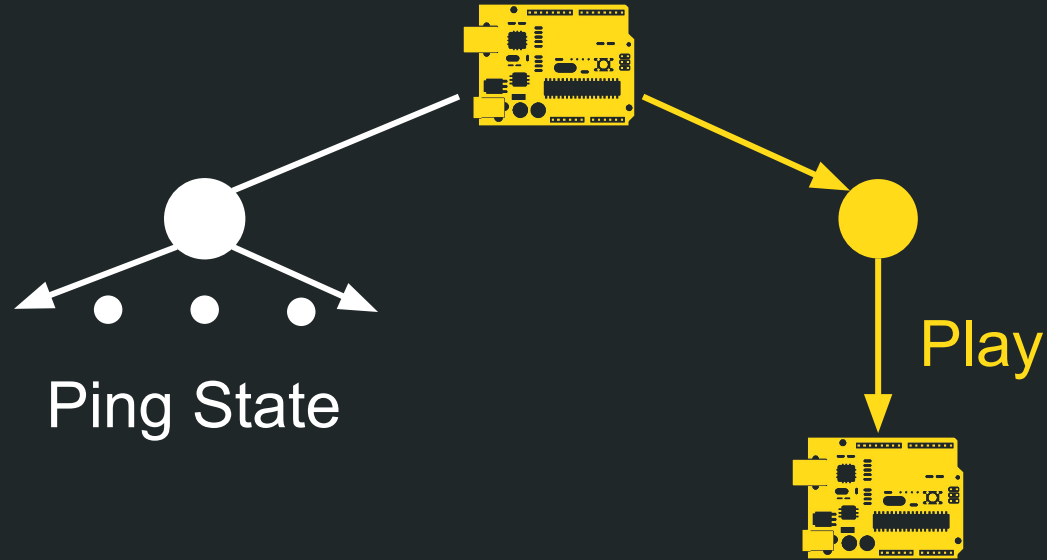
- Internal communication happens through messages
 - Asynchronous
 - Immutable
 - Deposited into a mailbox
 - Worked through one at a time
- No race conditions



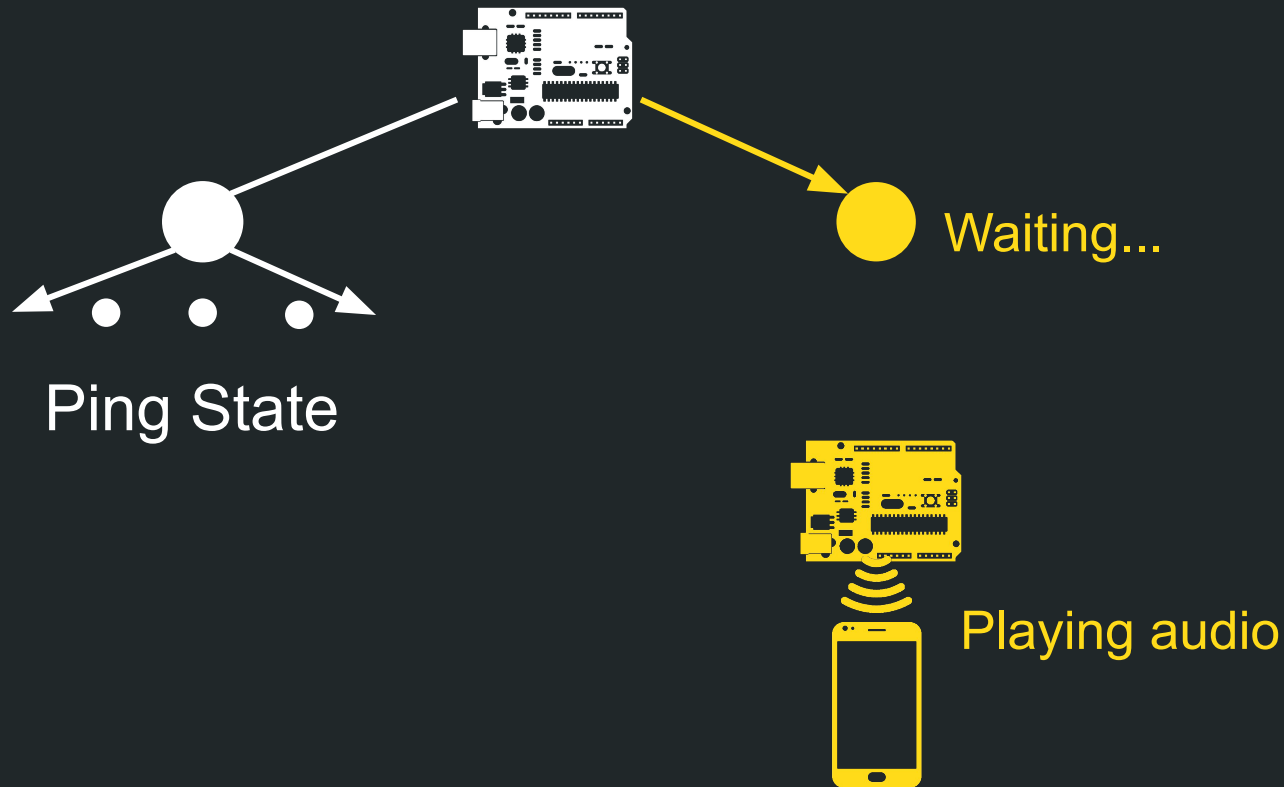
A use case example



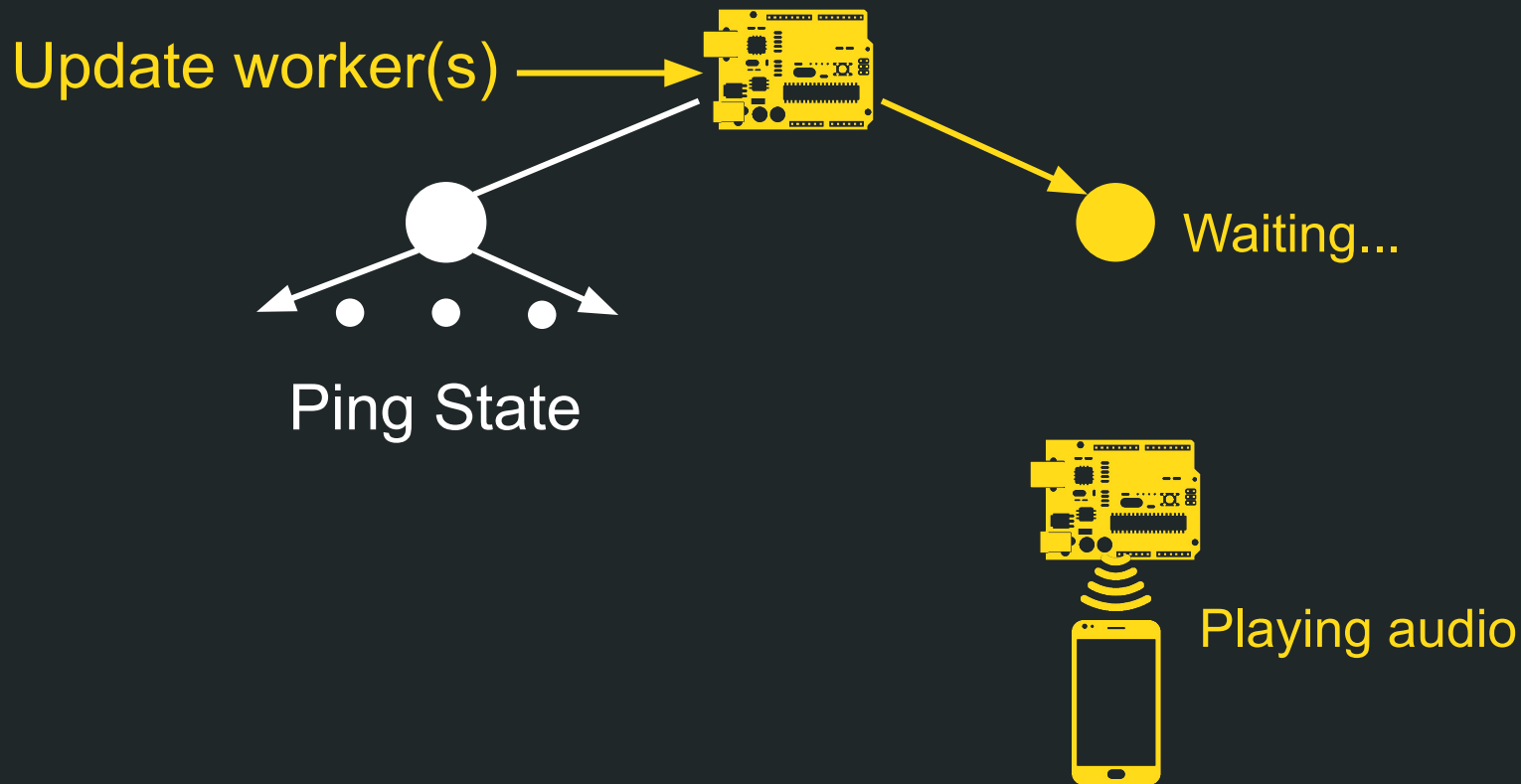
A use case example



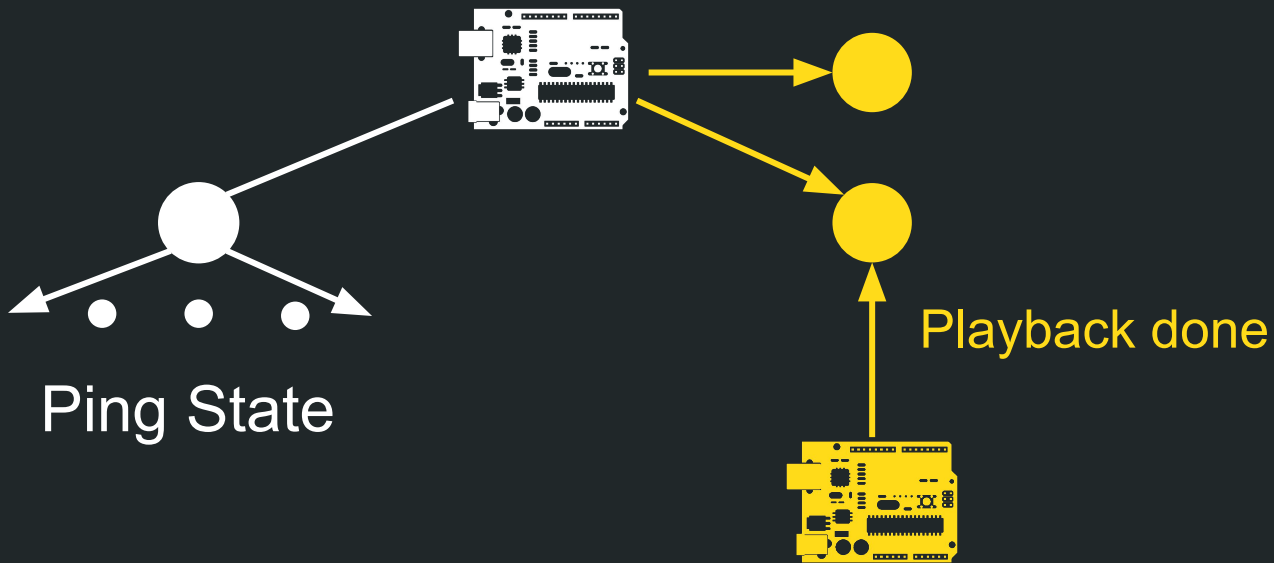
A use case example



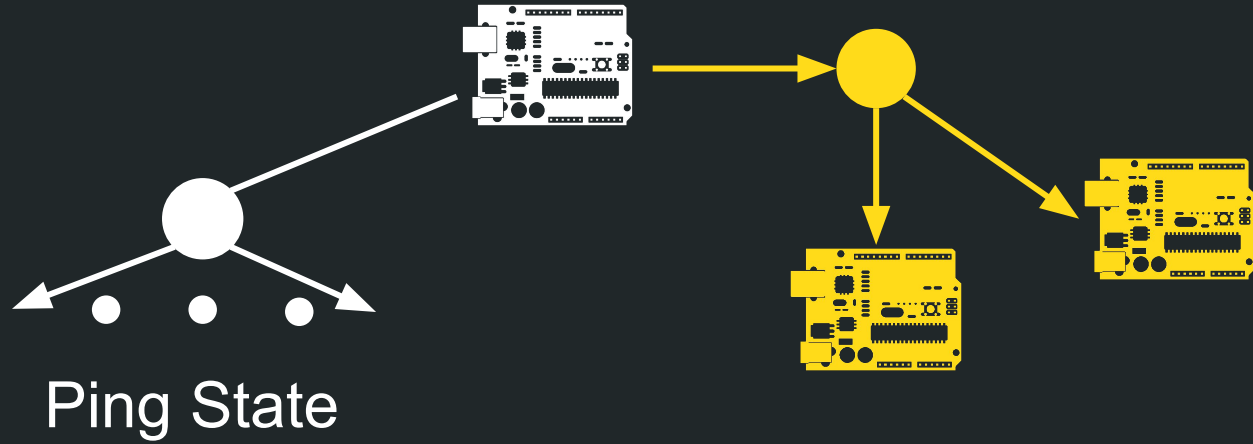
A use case example



A use case example



A use case example



Remarkable issues

- Transmission of data and commands
- Consistency of the state
- Update roll-outs
 - Application and Operating System



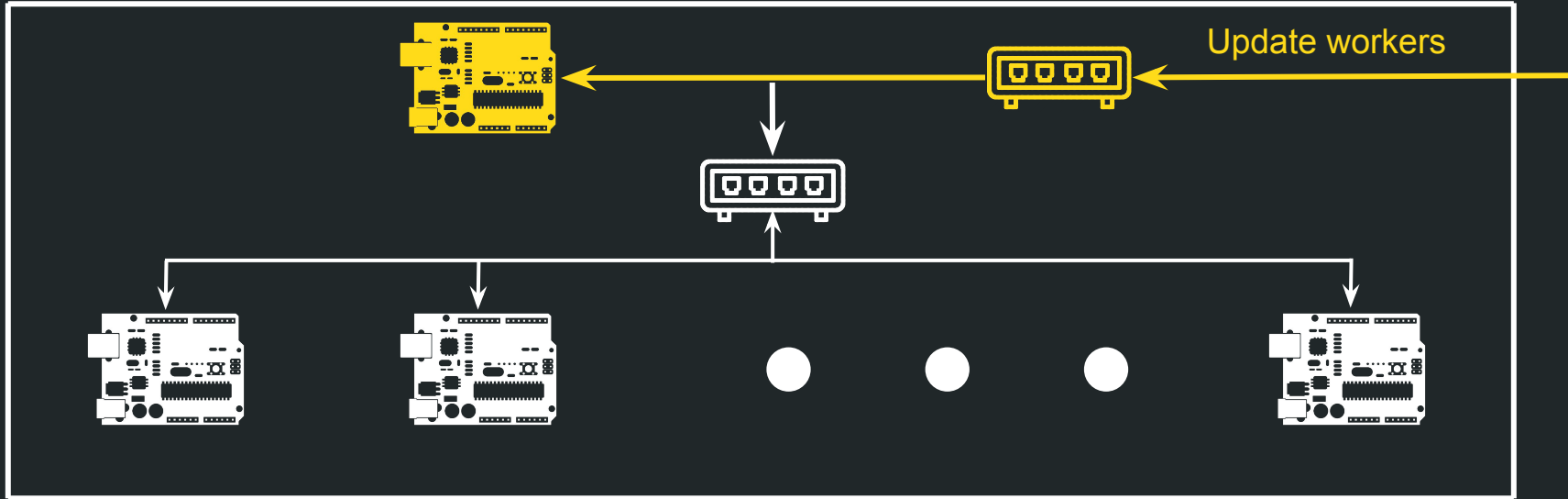
docker

Updating the system

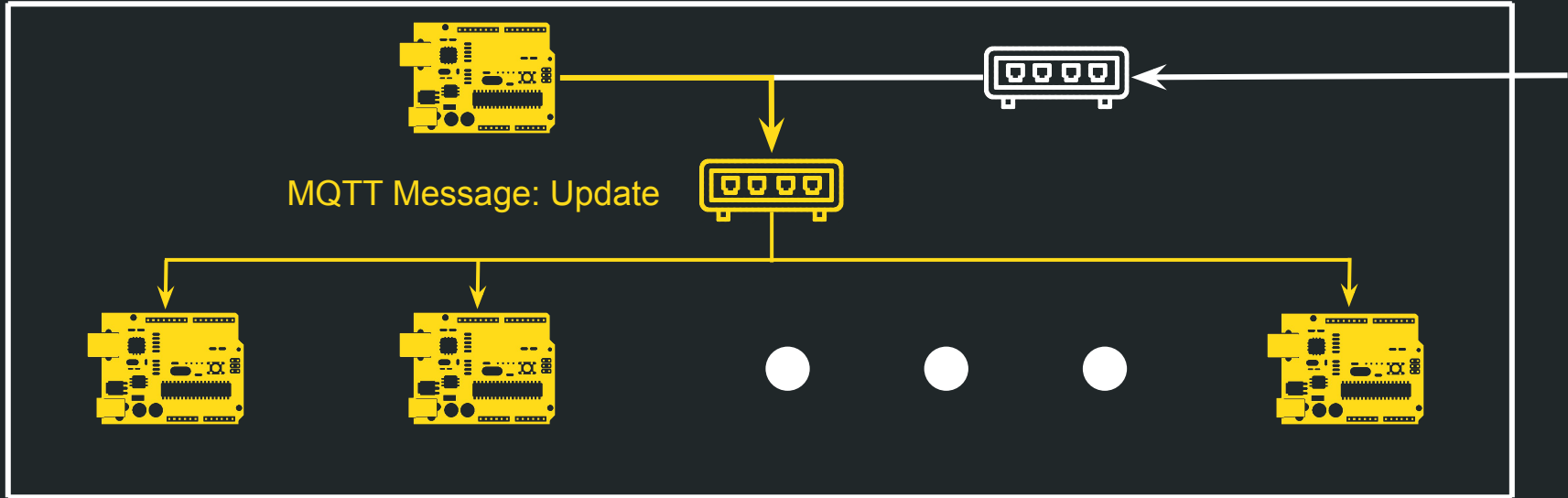
- SWUpdate
- CD/CI pipelines
 - Updates as .swu files
 - The application kicks off the update and checks the outcome



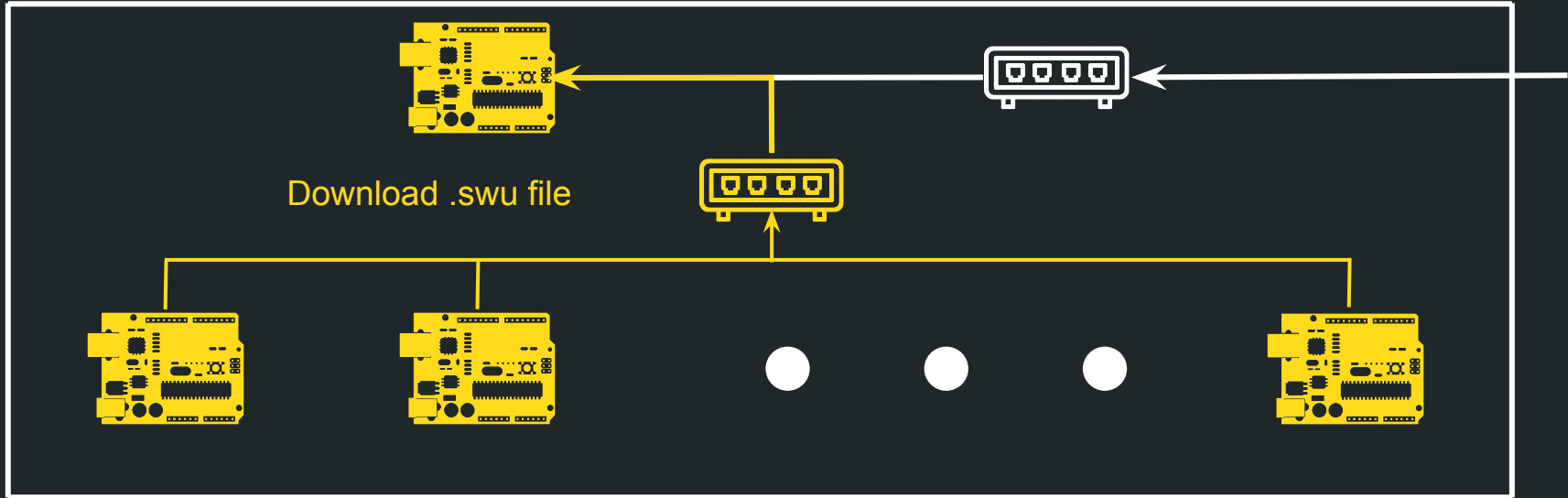
Updating the system - Workflow



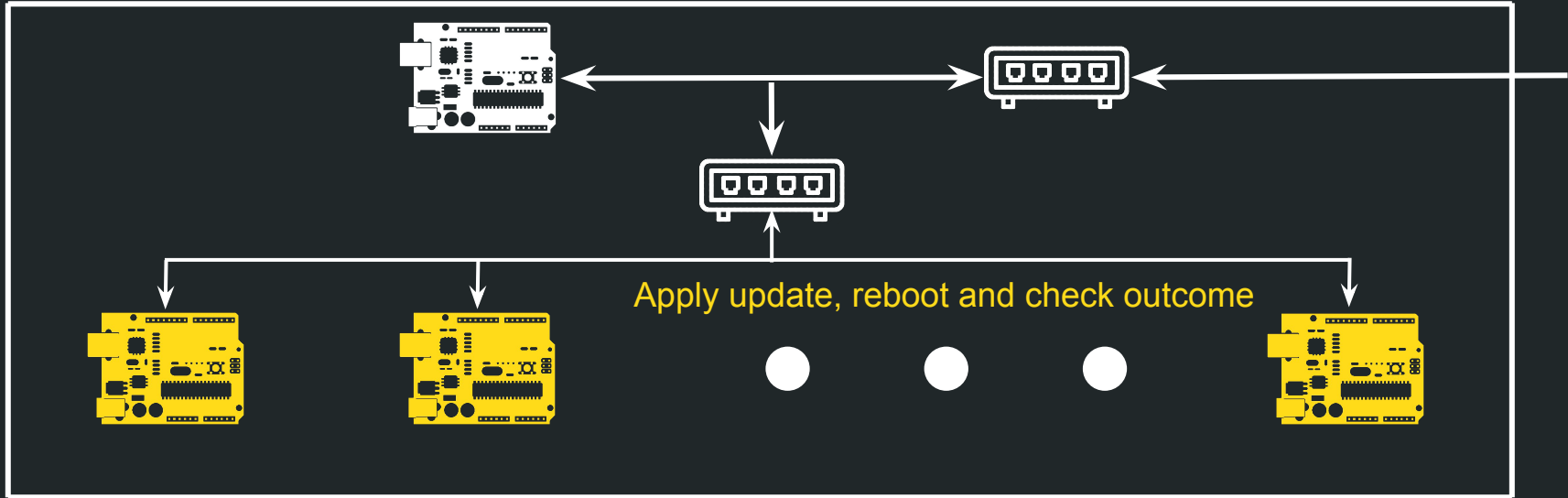
Updating the system - Workflow



Updating the system - Workflow



Updating the system - Workflow



**Could we use
Docker instead?**

Updating the system - Docker

- ✓ Docker images can be distributed as .tar archives
- ✓ Reduced risk of breaking the board

- ✗ More difficult to trigger the update from the application
- ✗ Application-only updates more difficult to achieve
- ✗ Interaction with external services
 - Audio
 - Bluetooth



Conclusion



Network

Scalability

Privacy

Reliability



Thank you

Matteo Di Pirro

matteo.dipirro@kynetics.com



OPEN
NETWORKING
& EDGE
SUMMIT